

# StarterHorn™ A45° USMA

## ASYMMETRICAL HORN ANTENNA

The radiation pattern of StarterHorn™ A45 USMA has asymmetrical main lobe and zero side lobes. StarterHorn™ antennas offer great noise rejection needed for high-density AP clusters and dense co-location.

StarterHorn™ antennas offer both waveguide and RP-SMA female connector interface allowing easy connectivity to any third-party radio on the market, incl direct connectivity to UI radios with an waveguide interface.



### TECHNICAL DATA

Antenna Connection	RP-SMA Port, Waveguide Port
Antenna Type	Asymmetrical Horn
Materials	UV Resistant ABS Plastic, Polyethylene, Aluminium, Stainless Steel
Enviromental	IP55
Flame Rating	UL 94 HB
Pole Mounting Diameter	20-55 mm (0.8-2.1 inch) Recommend as close to 55 mm (2.1 inch) as possible
Temperature	-30°C to +55°C (-22°F to +131°F)
Wind Survival	160 km/h (100 mi/h)
Wind Load	34/27 N - Front/Side at 160 km/h (100 mi/h)
Effective Projected Area	281/223 cm <sup>2</sup> - Front/Side (43.6/34.6 in <sup>2</sup> )
Mechanical Tilt	± 30°
Weight	0.9 kg (1.9 lbs) – single unit* 1.4 kg (3.1 lbs) – single unit incl. package* 17 kg (37.5 lbs) – carton (10 units)
Single Unit	Retail Box: 238 × 245 × 163 mm (9.4 × 9.6 × 6.4 inch)
10 Units	Carton Box: 1197 × 336 × 269 mm (47.1 × 13.2 × 10.5 inch)

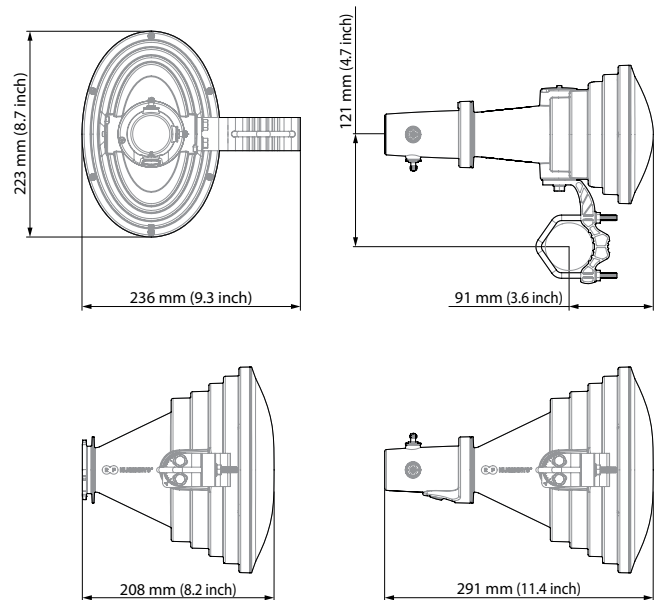
### PERFORMANCE

Frequency Range	5150 - 5950 MHz
Gain	17 dBi
Azimuth Beam Width -3 dB	H 31° / V 30°
Elevation Beam Width -3 dB	H 21° / V 20°
Azimuth Beam Width -6 dB	H 44° / V 45°
Elevation Beam Width -6 dB	H 30° / V 29°
Beam Efficiency*	90 %
Front-to-Back Ratio	30 dB

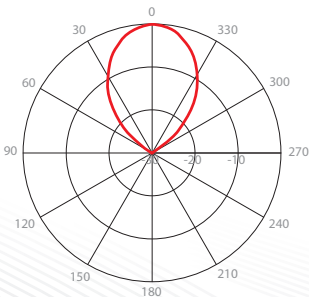
### COMPATIBLE WIRELESS PLATFORMS

Ubiquiti Networks®	PrismStation™ 5AC, IsoStation™ 5AC, IsoStation™ M5
Other	Any radio with coaxial output

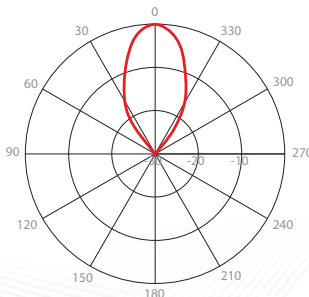
### PRODUCT DIMENSIONS



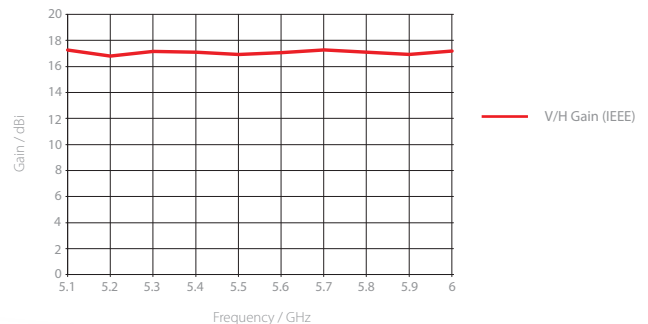
### AZIMUTH PATTERN



### ELEVATION PATTERN



### GAIN



\*Main beam defined up to first null

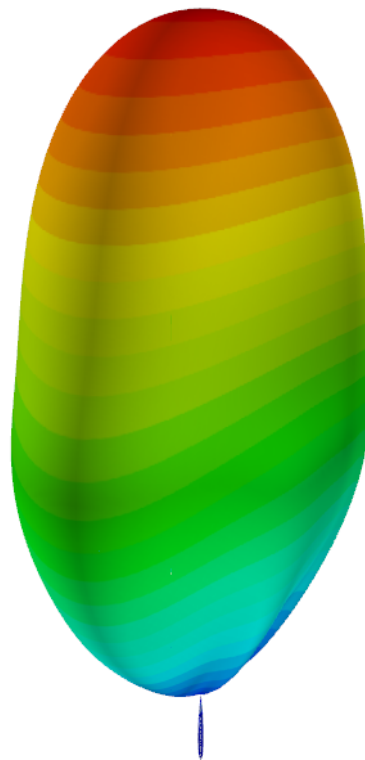
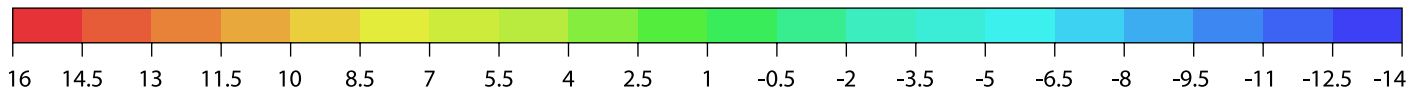
**3D RADIATION DIAGRAM**

SCALE: 30dBi

COMPATIBLE WITH: ADOBE ACROBAT READER DC. NOT SUPPORTED ON MOBILE.

USE MOUSE TO ROTATE THE DIAGRAM. SCROLL IN/OUT TO ZOOM IN/OUT

dBi



FRONT	BACK	RIGHT	LEFT	UP	DOWN
-------	------	-------	------	----	------